

Terminal Voltage $\pm 3V$ or $\pm 5V$, 128 Taps I^2C Serial Interface

The Intersil ISL23711 is a digitally controlled potentiometer (XDCP). The device consists of a resistor array, wiper switches, and a control section. The wiper position is controlled by an I^2C interface.

The potentiometer is implemented by a resistor array composed of 127 resistive elements and a wiper switching network. The wiper terminal can be connected to either end of the resistor array or at any one of the Tap Positions in between, providing 128 steps of resolution between R_L and R_H . The "position" of the wiper is determined by the value assigned to the volatile Wiper Register (WR). The WR can be directly written to and read from using standard I^2C interface protocol. The device is available in either a 10k Ω or 50k Ω version.

The device can be used as a three-terminal potentiometer or as a two-terminal variable resistor in a wide variety of applications including:

- Industrial and Automotive Control
- Parameter and Bias Adjustments
- Amplifier Bias and Control

Ordering Information

| PART NUMBER (BRAND) | RESISTANCE OPTION (Ω) | TEMP RANGE ($^{\circ}C$) | PACKAGE | PKG. DWG. # |
|-----------------------------------|--------------------------------|----------------------------|----------------------|-------------|
| ISL23711WIU10Z (AOE) (Notes 1, 2) | 10K | -40 to +85 | 10 Ld MSOP (Pb-Free) | M10.118 |
| ISL23711UIU10Z (AOD) (Notes 1, 2) | 50K | -40 to +85 | 10 Ld MSOP (Pb-Free) | M10.118 |

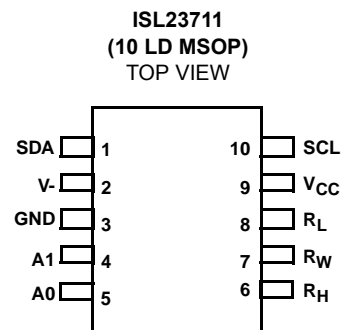
NOTES:

1. Add "-T" suffix for tape and reel.
2. Intersil Pb-free plus anneal products employ special Pb-free material sets; molding compounds/die attach materials and 100% matte tin plate termination finish, which are RoHS compliant and compatible with both SnPb and Pb-free soldering operations. Intersil Pb-free products are MSL classified at Pb-free peak reflow temperatures that meet or exceed the Pb-free requirements of IPC/JEDEC J STD-020.

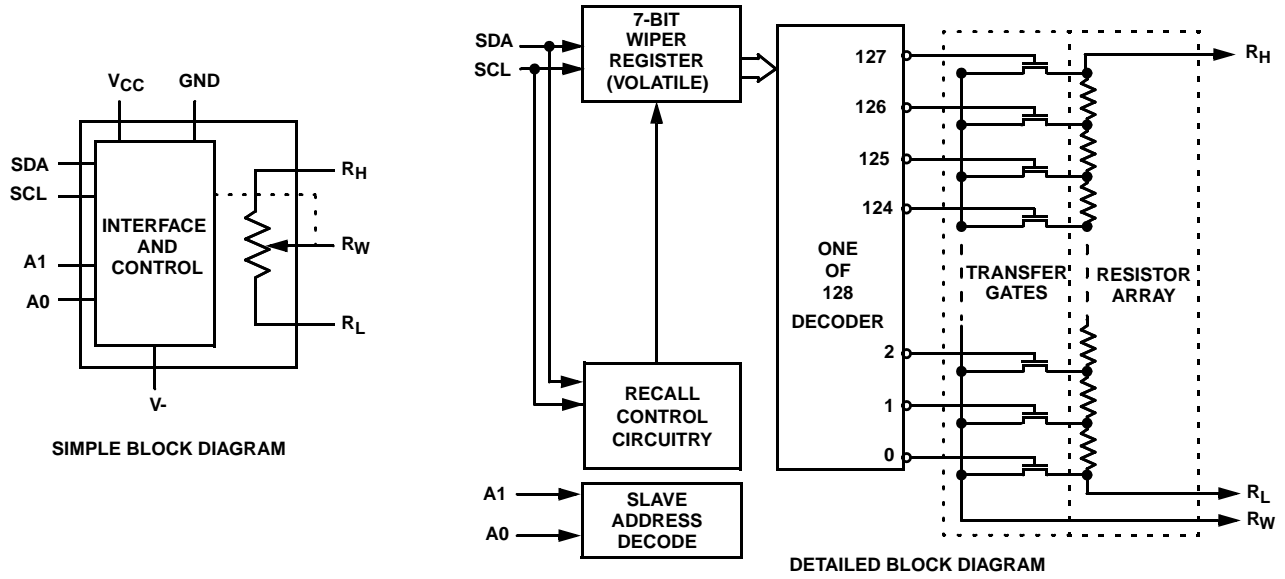
Features

- I^2C Serial Interface with Hardwire Slave Address Allows up to Four Devices
- DCP Terminal Voltage, from V_- to V_{CC}
- 127 Resistive Elements
 - Typical R_{TOTAL} tempco $\pm 50ppm/^{\circ}C$
 - Typical ratiometric tempco $\pm 4ppm/^{\circ}C$
 - End to end resistance range $\pm 20\%$
 - Wiper resistance = 70 Ω typ at $V_{CC} = 3.3V$
- Low Power CMOS
 - Standby current, 500nA max
 - Active current, 200 μA max
 - $V_{CC} = 2.7V$ to 5.5V
 - $V_- = -2.7V$ to -5.5V
- R_{TOTAL} Values = 10k Ω , 50k Ω
- Volatile Wiper Storage
- Package
 - 10 Ld MSOP
- Pb-Free Plus Anneal Available (RoHS Compliant)

Pinout



Block Diagram



Pin Descriptions

| PIN NUMBER | SYMBOL | DESCRIPTION |
|------------|-----------------|--|
| 1 | SDA | Data I/O for I ² C serial interface. It has an open drain output and may be wire ORed with other open drain active low outputs. |
| 2 | V- | Negative supply voltage for the potentiometer wiper control. |
| 3 | GND | Ground. Should be connected to a digital ground |
| 4 | A1 | A1 and A0 are address select pins used to set the slave address for the I ² C serial interface. |
| 5 | A0 | A1 and A0 are address select pins used to set the slave address for the I ² C serial interface. |
| 6 | R _H | A fixed terminal for one end of the potentiometer resistor. |
| 7 | R _W | The wiper terminal which is equivalent to the movable terminal of a potentiometer. |
| 8 | R _L | A fixed terminal for one end of the potentiometer resistor. |
| 9 | V _{CC} | Positive logic supply voltage. |
| 10 | SCL | Clock input for the I ² C serial interface. |

Absolute Maximum Ratings

Temperature under bias -65°C to +135°C
 Storage temperature -65°C to +150°C
 Voltage on SDA, SCL, A0, and A1
 with Respect to GND -0.3 to V_{CC}+0.3V
 Voltage on V- (referenced to GND) -6V
 $\Delta V = |V_{(RH)} - V_{(RL)}|$ 12V
 Lead Temperature (soldering 10s) 300°C
 I_W (10s) ±6mA
 V_{CC} -0.3V to 6V
 R_H, R_L, R_W V- to V_{CC}
 ESD Rating (MIL-STD-883, Method 3015.7) >2kV

Thermal Information

Thermal Resistance (Typical, Note 3) θ_{JA} (°C/W)
 MSOP Package 170

Recommended Operating Conditions

Temperature Range (Industrial) -40°C to +85°C
 V_{CC} 2.7V to 5.5V
 V- -2.7V to -5.5V

CAUTION: Stresses above those listed under "Absolute Maximum Ratings" may cause permanent damage to the device. This is a stress rating only; functional operation of the device (at these or any other conditions above those listed in the operational sections of this specification) is not implied. Exposure to absolute maximum rating conditions for extended periods may affect device reliability.

NOTE:

- θ_{JA} is measured with the component mounted on a high effective thermal conductivity test board in free air. See Tech Brief TB379 for details.

Analog Specifications

Over recommended operating conditions unless otherwise stated.

| SYMBOL | PARAMETER | TEST CONDITIONS | MIN | TYP (Note 1) | MAX | UNIT |
|---|--|--|------|--------------|-----------------|--------------|
| R _{TOTAL} | R _H to R _L Resistance | W option | | 10 | | kΩ |
| | | U option | | 50 | | kΩ |
| | R _H to R _L Resistance Tolerance | | -20 | | +20 | % |
| V _{RH} , V _{RL} | R _H , R _L Terminal Voltage | | V- | | V _{CC} | V |
| R _W | Wiper Resistance | V- = -5.5V; V _{CC} = +5.5V Wiper current = (V _{CC} - V-)/R _{TOTAL} | | 70 | 200 | Ω |
| C _H /C _L /C _W | Potentiometer Capacitance (Note 13) | | | 10/10/25 | | pF |
| I _{LkgDCP} | Leakage on R _H , R _L , R _W pins | Voltage at pins; V- to V _{CC} | -1 | 0.1 | 1 | μA |
| VOLTAGE DIVIDER MODE (V- @ R _L ; V _{CC} @ R _H ; Voltage at R _W = V _{RW} unloaded) | | | | | | |
| INL (Note 6) | Integral Non-linearity | | -1 | | 1 | LSB (Note 2) |
| DNL (Note 5) | Differential Non-linearity | W, U options | -0.5 | | 0.5 | LSB (Note 2) |
| ZSerror (Note 3) | Zero-scale Error | W option | 0 | 1 | 4 | LSB (Note 2) |
| | | U option | 0 | 0.5 | 2 | |
| FSerror (Note 4) | Full-scale Error | W option | -4 | -1 | 0 | LSB (Note 2) |
| | | U option | -2 | -0.5 | 0 | |
| TC _V (Notes 7, 13) | Ratiometric Temperature Coefficient | DCP register set from 16 to 120d, T = -40°C to +85°C | | ±4 | | ppm/°C |
| RESISTOR MODE (Measurements between R _W and R _L with R _H not connected, or between R _W and R _H with R _L not connected) | | | | | | |
| RINL (Note 11) | Integral Non-linearity | DCP register set between 20 hex and 7F hex. Monotonic over all tap positions | -1 | | 1 | MI (Note 8) |
| RDNL (Note 10) | Differential Non-linearity | | -0.5 | | 0.5 | MI (Note 8) |
| Roffset (Note 9) | Offset | DCP register set to 00 hex, W option | 0 | 2 | 5 | MI (Note 8) |
| | | DCP register set to 00 hex, U option | 0 | 0.5 | 2 | MI (Note 8) |
| TC _R (Notes 12, 13) | Resistance Temperature Coefficient | DCP register set from 16 to 127d, T = -40°C to +85°C | | ±50 | | ppm/°C |

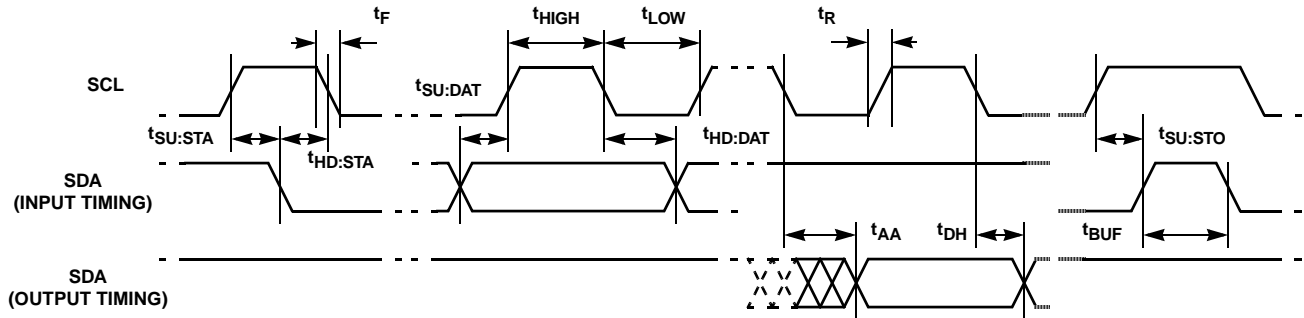
Operating Specifications Over the recommended operating conditions unless otherwise specified.

| SYMBOL | PARAMETER | TEST CONDITIONS | MIN | TYP (Note 1) | MAX | UNIT |
|-------------------------------|--|--|----------------------|-----------------|----------------------|------|
| I _{CC1} | V _{CC} Supply Current, Volatile Write/Read | f _{SCL} = 400kHz; SDA = Open; (for I ² C, Active, Read and Write states only) | | | 200 | μA |
| I _V | V- Supply Current, Volatile Write/Read | f _{SCL} = 400kHz; SDA = Open; (for I ² C, Active, Read and Write states only) | -100 | | -1 | μA |
| I _{SB} | V _{CC} Current (Standby) | V _{CC} = +5.5V, I ² C Interface in Standby State | | | 500 | nA |
| | | V _{CC} = +3.6V, I ² C Interface in Standby State | | | 300 | nA |
| I _{V-SB} | V- Current (Standby) | V- = -5.5V, I ² C Interface in Standby State | -500 | | | nA |
| | | V- = -2.7V, I ² C Interface in Standby State | -300 | | -1 | nA |
| I _{LkgDig} | Leakage Current, at Pins SDA, SCL, A0, and A1 | Voltage at pin from GND to V _{CC} | -10 | | 10 | μA |
| t _{DCP} (Note 13) | DCP Wiper Response Time | SCL falling edge of last bit of DCP Data Byte to wiper change | | 1 | | μs |
| V _{por} | Power-on Recall for V _{CC} | | | 2.5 | | V |
| SERIAL INTERFACE SPECS | | | | | | |
| V _{IL} | A0, A1, SDA, and SCL Input Buffer LOW Voltage | | -0.3 | | 0.3*V _{CC} | V |
| V _{IH} | A0, A1, SDA, and SCL Input Buffer HIGH Voltage | | 0.7*V _{CC} | | V _{CC} +0.3 | V |
| Hysteresis | SDA and SCL Input Buffer Hysteresis | | 0.05*V _{CC} | | | V |
| V _{OL} | SDA Output Buffer LOW Voltage, Sinking 4mA | | 0 | | 0.4 | V |
| C _{pin} (Note 14) | A0, A1, SDA, and SCL Pin Capacitance | | | | 10 | pF |
| f _{SCL} | SCL Frequency | | | | 400 | kHz |
| t _{IN} | Pulse Width Suppression Time at SDA and SCL Inputs | Any pulse narrower than the max spec is suppressed | | | 50 | ns |
| t _{AA} | SCL Falling Edge to SDA Output Data Valid | SCL falling edge crossing 30% of V _{CC} , until SDA exits the 30% to 70% of V _{CC} window | | | 900 | ns |
| t _{BUF} | Time the Bus Must be Free Before the Start of a New Transmission | SDA crossing 70% of V _{CC} during a STOP condition, to SDA crossing 70% of V _{CC} during the following START condition | 1300 | | | ns |
| t _{LOW} | Clock LOW Time | Measured at the 30% of V _{CC} crossing | 1300 | | | ns |
| t _{HIGH} | Clock HIGH Time | Measured at the 70% of V _{CC} crossing | 600 | | | ns |
| t _{SU:STA} | START Condition Setup Time | SCL rising edge to SDA falling edge. Both crossing 70% of V _{CC} | 600 | | | ns |
| t _{HD:STA} | START Condition Hold Time | From SDA falling edge crossing 30% of V _{CC} to SCL falling edge crossing 70% of V _{CC} | 600 | | | ns |
| t _{SU:DAT} | Input Data Setup Time | From SDA exiting the 30% to 70% of V _{CC} window, to SCL rising edge crossing 30% of V _{CC} | 100 | | | ns |
| t _{HD:DAT} | Input Data Hold Time | From SCL rising edge crossing 70% of V _{CC} to SDA entering the 30% to 70% of V _{CC} window | 0 | | | ns |
| t _{SU:STO} | STOP Condition Setup Time | From SCL rising edge crossing 70% of V _{CC} , to SDA rising edge crossing 30% of V _{CC} | 600 | | | ns |
| t _{HD:STO} | STOP Condition Setup Time | From SDA rising edge to SCL falling edge. Both crossing 70% of V _{CC} | 600 | | | ns |

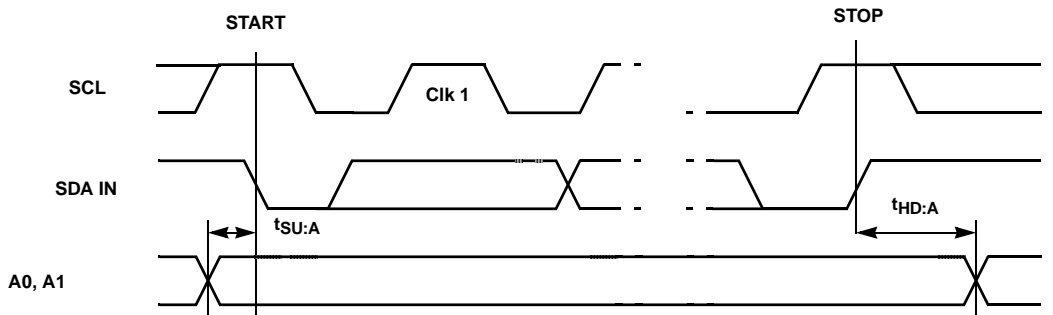
Operating Specifications Over the recommended operating conditions unless otherwise specified. (Continued)

| SYMBOL | PARAMETER | TEST CONDITIONS | MIN | TYP (Note 1) | MAX | UNIT |
|-----------------------|---|---|---------------------|-----------------|-----|------------|
| t_{DH} | Output Data Hold Time | From SCL falling edge crossing 30% of V_{CC} , until SDA enters the 30% to 70% of V_{CC} window | 0 | | | ns |
| t_R (Note 14) | SDA, SCL, A0, A1 Rise Time | From 30% to 70% of V_{CC} | 20 + $0.1 * C_b$ | | 250 | ns |
| t_F (Note 14) | SDA, SCL, A0, A1 Fall Time | From 70% to 30% of V_{CC} | 20 + $0.1 * C_b$ | | 250 | ns |
| C_b (Note 14) | Capacitive Loading of SDA or SCL | Total on-chip and off-chip | 10 | | 400 | pF |
| R_{pu} (Note 14) | SDA and SCL Bus Pull-up Resistor Off-chip | Maximum is determined by t_R and t_F For $C_b = 400\text{pF}$, max is about 2~2.5k Ω For $C_b = 40\text{pF}$, max is about 15~20k Ω | 1 | | | k Ω |
| $t_{SU:A}$ | A0, A1 Setup Time | Before START condition | 600 | | | ns |
| $t_{HD:A}$ | A0, A1 Hold Time | After STOP condition | 600 | | | ns |

SDA vs SCL Timing



A0, A1 Pin Timing



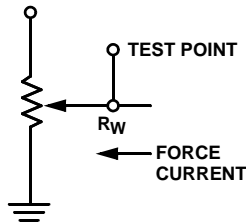
NOTES:

1. Typical values are for $T_A = 25^\circ\text{C}$ and $\pm 5\text{V}$ supply voltage.
2. LSB: $[V(\text{RW})_{127} - V(\text{RW})_0] / 127$. $V(\text{RW})_{127}$ and $V(\text{RW})_0$ are $V(\text{RW})$ for the DCP register set to 7F hex and 00 hex respectively. LSB is the incremental voltage when changing from one tap to an adjacent tap.
3. ZS error = $(V(\text{RW})_0 - V) / \text{LSB}$.
4. FS error = $[V(\text{RW})_{127} - V_{\text{CC}}] / \text{LSB}$.
5. DNL = $[V(\text{RW})_i - V(\text{RW})_{i-1}] / \text{LSB} - 1$, for $i = 1$ to 127. i is the DCP register setting.
6. INL = $V(\text{RW})_i - (i \cdot \text{LSB} - V(\text{RW})_0)$ for $i = 1$ to 127.
7.
$$\text{TC}_V = \frac{\text{Max}(V(\text{RW})_i) - \text{Min}(V(\text{RW})_i)}{[\text{Max}(V(\text{RW})_i) + \text{Min}(V(\text{RW})_i)]/2} \times \frac{10^6}{125^\circ\text{C}}$$

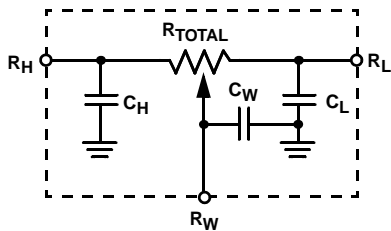
for $i = 16$ to 120 decimal, $\text{Max}()$ is the maximum value of the wiper voltage and $\text{Min}()$ is the minimum value of the wiper voltage over the temperature range.
8. $\text{MI} = |R_{127} - R_0| / 127$. R_{127} and R_0 are the measured resistances for the DCP register set to 7F hex and 00 hex respectively.
9. $\text{Roffset} = R_0 / \text{MI}$, when measuring between R_W and R_L .
 $\text{Roffset} = R_{127} / \text{MI}$, when measuring between R_W and R_H .
10. $\text{RDNL} = (R_i - R_{i-1}) / \text{MI}$, for $i = 16$ to 127.
11. $\text{RINL} = [R_i - (\text{MI} \cdot i) - R_0] / \text{MI}$, for $i = 16$ to 127.
12.
$$\text{TC}_R = \frac{[\text{Max}(R_i) - \text{Min}(R_i)]}{[\text{Max}(R_i) + \text{Min}(R_i)]/2} \times \frac{10^6}{125^\circ\text{C}}$$

for $i = 16$ to 127, $\text{Max}()$ is the maximum value of the resistance and $\text{Min}()$ is the minimum value of the resistance over the temperature range.
13. This parameter is not 100% tested.
14. These are $I^2\text{C}$ specific parameters and are not directly tested, however they are used during device testing to validate device specification.

Test Circuit



Equivalent Circuit



Pin Descriptions

Potentiometer Pins

R_H AND R_L

The high (R_H) and low (R_L) terminals of the ISL23711 are equivalent to the fixed terminals of a mechanical potentiometer. The terminology of R_L and R_H references the relative position of the terminal in relation to wiper movement direction selected by the $I^2\text{C}$ serial input and not the voltage potential on the terminal.

R_W

R_W is the wiper terminal and is equivalent to the movable terminal of a mechanical potentiometer. The position of the wiper within the array is determined by the control inputs.

BUS INTERFACE PINS

Serial Data Input/Output (SDA)

The SDA is a bidirectional serial data input/output pin for the $I^2\text{C}$ interface. It receives device address, operation code, wiper register address and data from an $I^2\text{C}$ external master device at the rising edge of the serial clock SCL, and it shifts out data after each falling edge of the serial clock SCL.

SDA requires an external pull-up resistor, since it's an open drain output.

Serial Clock (SCL)

This input is the serial clock of the $I^2\text{C}$ serial interface.

Device Address (A1-A0)

The Address inputs are used to set the least significant 2 bits of the 7-bit $I^2\text{C}$ interface slave address. A match in the slave address serial data stream must be made with the Address input pins in order to initiate communication with the ISL23711. A maximum of 4 ISL23711 devices may occupy the $I^2\text{C}$ serial bus.

Principles of Operation

The ISL23711 is an integrated circuit incorporating one DCP with its associated register, and an $I^2\text{C}$ serial interface providing direct communication between a host and the potentiometer and memory. The resistor array is comprised

of 127 individual resistors connected in series. At either end of the array and between each resistor is an electronic switch that transfers the potential at that point to the wiper.

The wiper, when at either fixed terminal, acts like its mechanical equivalent and does not move beyond the last position. That is, the counter does not wrap around when clocked to either extreme.

The electronic switches on the device operate in a “make before break” mode when the wiper changes tap positions.

DCP Description

The DCP is implemented with a combination of resistor elements and CMOS switches. The physical ends of the DCP are equivalent to the fixed terminals of a mechanical potentiometer (R_H and R_L pins). The R_W pin is connected to intermediate nodes, and is equivalent to the wiper terminal of a mechanical potentiometer. The position of the wiper terminal is controlled by a 7-bit volatile Wiper Register (WR). When the WR contains all zeroes (00h), the wiper terminal (R_W) is closest to its “Low” terminal (R_L). When the WR contains all ones (7Fh), the wiper terminal (R_W) is closest to its “High” terminal (R_H). As the value of the WR increases from all zeroes (0 decimal) to all ones (127 decimal), the wiper moves monotonically from the position closest to R_L to the position closest to R_H . At the same time, the resistance between R_W and R_L increases monotonically, while the resistance between R_H and R_W decreases monotonically.

While the ISL23711 is being powered up, the WR is reset to 20h (64 decimal), which locates the R_W at the center between R_L and R_H .

The WR can be read or written directly using the I²C serial interface as described in the following sections.

Memory Description

- A read operation to address 0 outputs the value of the volatile WR.
- A write operation to address 0 only writes to the volatile WR.

I²C Serial Interface

The ISL23711 supports a bidirectional bus oriented protocol. The protocol defines any device that sends data onto the bus as a transmitter and the receiving device as the receiver. The device controlling the transfer is a master and the device being controlled is the slave. The master always initiates data transfers and provides the clock for both transmit and receive operations. Therefore, the ISL23711 operates as a slave device in all applications.

All communication over the I²C interface is conducted by sending the MSB of each byte of data first.

Protocol Conventions

Data states on the SDA line can change only during SCL LOW periods. SDA state changes during SCL HIGH are reserved for

indicating START and STOP conditions (See Figure 1). On power-up of the ISL23711 the SDA pin is in the input mode.

All I²C interface operations must begin with a START condition, which is a HIGH to LOW transition of SDA while SCL is HIGH. The ISL23711 continuously monitors the SDA and SCL lines for the START condition and does not respond to any command until this condition is met (See Figure 1).

All I²C interface operations must be terminated by a STOP condition, which is a LOW to HIGH transition of SDA while SCL is HIGH (See Figure 1). A STOP condition at the end of a read operation, or at the end of a write operation to volatile bytes only places the device in its standby mode.

An ACK, Acknowledge, is a software convention used to indicate a successful data transfer. The transmitting device, either master or slave, releases the SDA bus after transmitting eight bits. During the ninth clock cycle, the receiver pulls the SDA line LOW to acknowledge the reception of the eight bits of data (See Figure 2).

The ISL23711 responds with an ACK after recognition of a START condition followed by a valid Identification Byte, and once again after successful receipt of an Address Byte. The ISL23711 also responds with an ACK after receiving a Data Byte of a write operation. The master must respond with an ACK after receiving a Data Byte of a read operation

A valid Identification Byte contains 01010 as the five MSBs, and the following two bits matching the logic values present at pins A1, and A0. The LSB is in the Read/Write bit. Its value is “1” for a Read operation, and “0” for a Write operation. (See Table 1.)

TABLE 1. IDENTIFICATION BYTE FORMAT

Logic values at pins A1, and A0 respectively

| | | | | | | | |
|-------|---|---|---|---|----|----|-------|
| 0 | 1 | 0 | 1 | 0 | A1 | A0 | R/W |
| | | | | | ⏟ | | |
| (MSB) | | | | | | | (LSB) |

Write Operation

A Write operation requires a START condition, followed by a valid Identification Byte, a valid Address Byte, a Data Byte, and a STOP condition. After each of the three bytes, the ISL23711 responds with an ACK.

Read Operation

A Read operation is initiated by a master using the following sequence: a START, the Identification byte (slave address) with the R/W bit set to “1”. At the moment of the first acknowledge by the ISL23711 (slave device), the master-transmitter becomes a master receiver and receives the data byte from the slave-transmitter. The Master receives the data byte and issues a non-acknowledge (SDA is HIGH), then a STOP to terminate the read operation. Since the ISL 23711 has just one WR, it will transmit only one byte (see Figure 4).

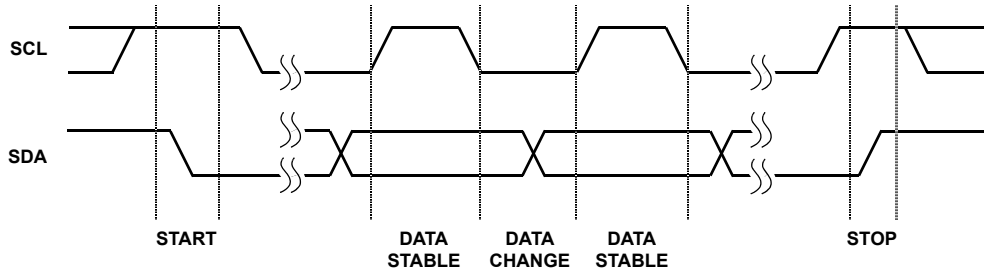


FIGURE 1. VALID DATA CHANGES, START, AND STOP CONDITIONS

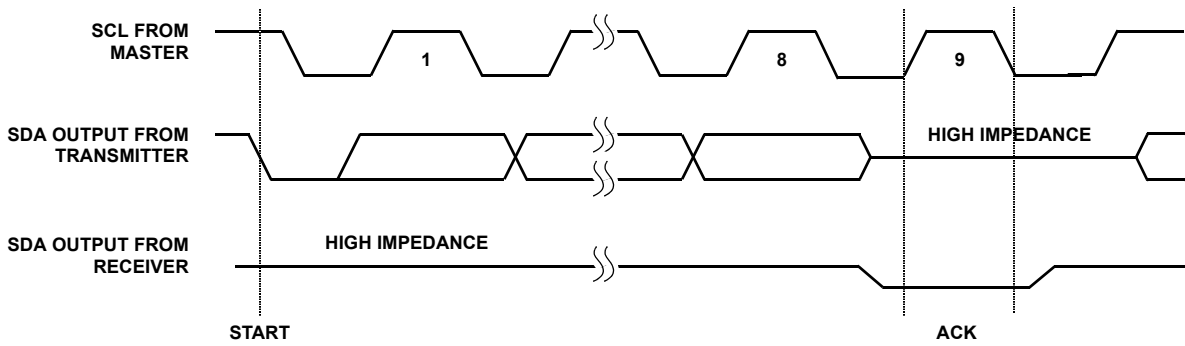


FIGURE 2. ACKNOWLEDGE RESPONSE FROM RECEIVER

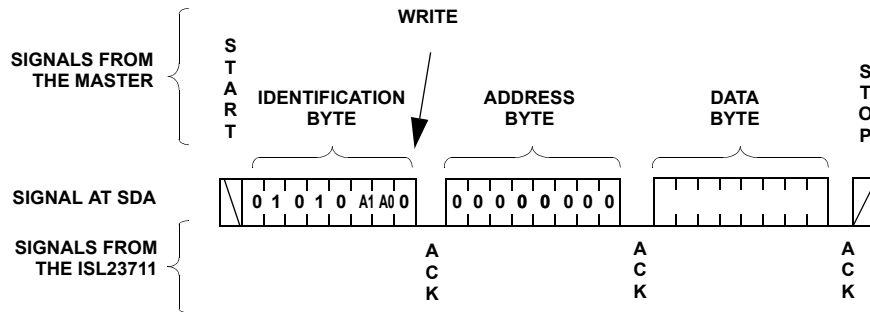


FIGURE 3. BYTE WRITE SEQUENCE

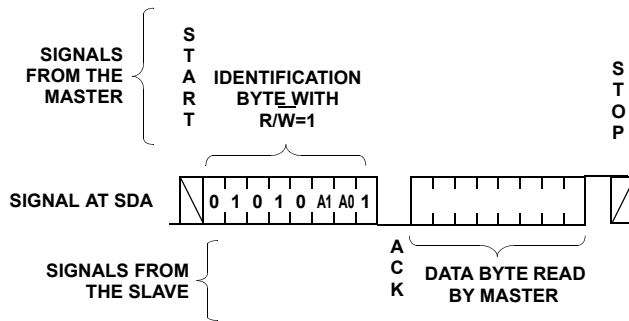
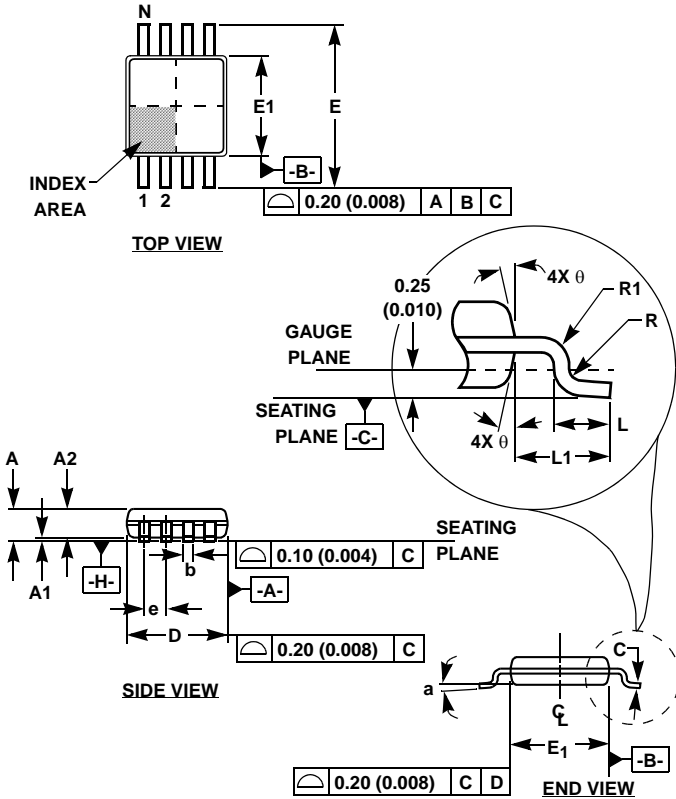


FIGURE 4. READ SEQUENCE

Mini Small Outline Plastic Packages (MSOP)



M10.118 (JEDEC MO-187BA)
10 LEAD MINI SMALL OUTLINE PLASTIC PACKAGE

| SYMBOL | INCHES | | MILLIMETERS | | NOTES |
|--------|-----------|-------|-------------|------|-------|
| | MIN | MAX | MIN | MAX | |
| A | 0.037 | 0.043 | 0.94 | 1.10 | - |
| A1 | 0.002 | 0.006 | 0.05 | 0.15 | - |
| A2 | 0.030 | 0.037 | 0.75 | 0.95 | - |
| b | 0.007 | 0.011 | 0.18 | 0.27 | 9 |
| c | 0.004 | 0.008 | 0.09 | 0.20 | - |
| D | 0.116 | 0.120 | 2.95 | 3.05 | 3 |
| E1 | 0.116 | 0.120 | 2.95 | 3.05 | 4 |
| e | 0.020 BSC | | 0.50 BSC | | - |
| E | 0.187 | 0.199 | 4.75 | 5.05 | - |
| L | 0.016 | 0.028 | 0.40 | 0.70 | 6 |
| L1 | 0.037 REF | | 0.95 REF | | - |
| N | 10 | | 10 | | 7 |
| R | 0.003 | - | 0.07 | - | - |
| R1 | 0.003 | - | 0.07 | - | - |
| θ | 5° | 15° | 5° | 15° | - |
| α | 0° | 6° | 0° | 6° | - |

Rev. 0 12/02

NOTES:

- These package dimensions are within allowable dimensions of JEDEC MO-187BA.
- Dimensioning and tolerancing per ANSI Y14.5M-1994.
- Dimension "D" does not include mold flash, protrusions or gate burrs and are measured at Datum Plane. Mold flash, protrusion and gate burrs shall not exceed 0.15mm (0.006 inch) per side.
- Dimension "E1" does not include interlead flash or protrusions and are measured at Datum Plane. [-H-] Interlead flash and protrusions shall not exceed 0.15mm (0.006 inch) per side.
- Formed leads shall be planar with respect to one another within 0.10mm (.004) at seating Plane.
- "L" is the length of terminal for soldering to a substrate.
- "N" is the number of terminal positions.
- Terminal numbers are shown for reference only.
- Dimension "b" does not include dambar protrusion. Allowable dambar protrusion shall be 0.08mm (0.003 inch) total in excess of "b" dimension at maximum material condition. Minimum space between protrusion and adjacent lead is 0.07mm (0.0027 inch).
- Datums [-A-] and [-B-] to be determined at Datum plane [-H-].
- Controlling dimension: MILLIMETER. Converted inch dimensions are for reference only

All Intersil U.S. products are manufactured, assembled and tested utilizing ISO9000 quality systems.
Intersil Corporation's quality certifications can be viewed at www.intersil.com/design/quality

Intersil products are sold by description only. Intersil Corporation reserves the right to make changes in circuit design, software and/or specifications at any time without notice. Accordingly, the reader is cautioned to verify that data sheets are current before placing orders. Information furnished by Intersil is believed to be accurate and reliable. However, no responsibility is assumed by Intersil or its subsidiaries for its use; nor for any infringements of patents or other rights of third parties which may result from its use. No license is granted by implication or otherwise under any patent or patent rights of Intersil or its subsidiaries.

For information regarding Intersil Corporation and its products, see www.intersil.com